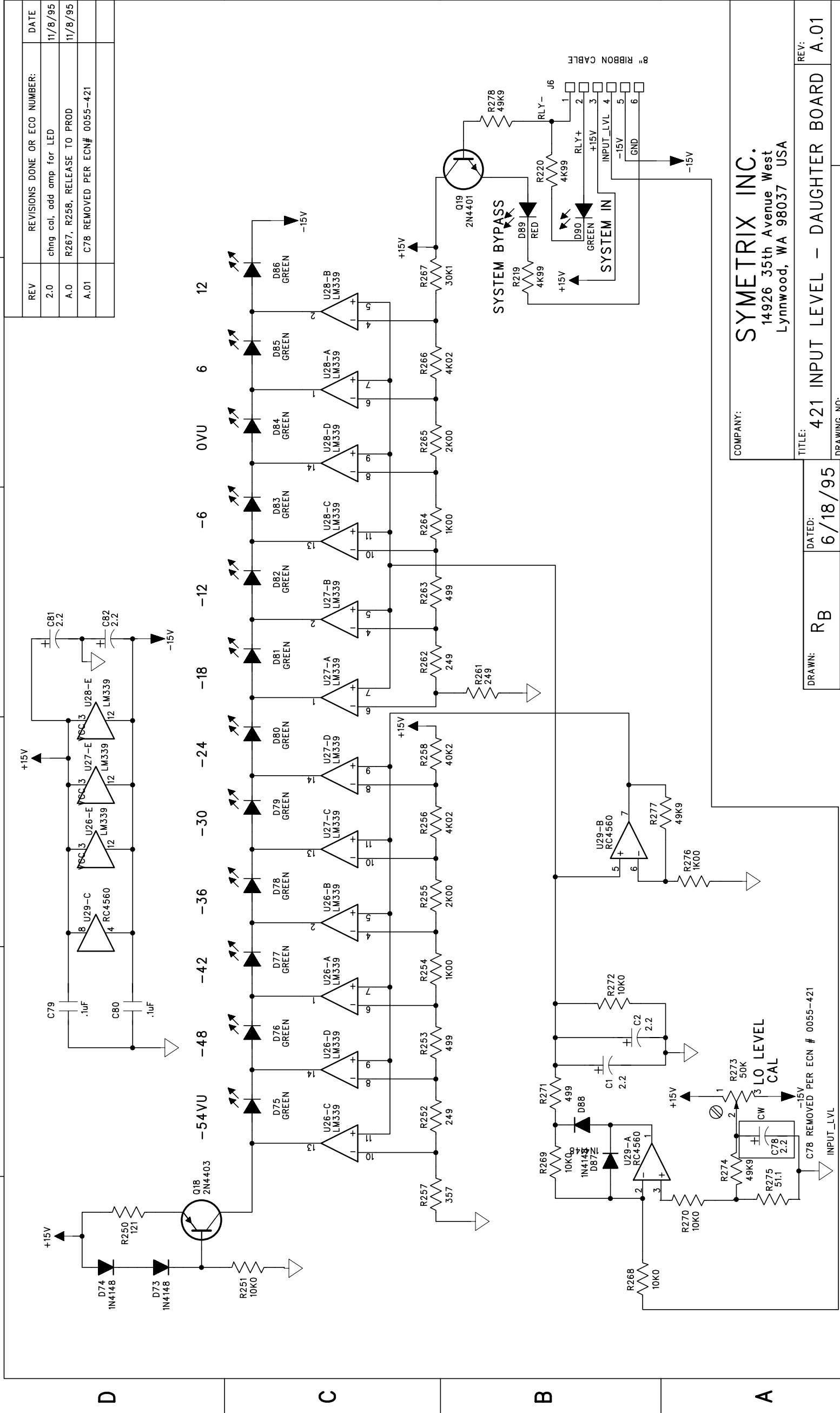


REV	REVISIONS DONE OR ECO NUMBER:	DATE
2.0	chng cal, add amp for LED	11/8/95
A.0	R267, R258, RELEASE TO PROD	11/8/95
A.01	C78 REMOVED PER ECN# 0055-421	



COMPANY: **SYMETRIX INC.**  
 14926 35th Avenue West  
 Lynnwood, WA 98037 USA

REV: **A.01**

TITLE: **421 INPUT LEVEL - DAUGHTER BOARD**

DRAWING NO: **023421**

DATED: **6/18/95**

RELEASED:

DRAWN: **RB**

SHEET: **1 OF 1**